



• ED6010 Series.

DC Brushless fan.

Size: 60 x 60 x 10 mm

2.4 x 0.4 Inches.

Airflow: Max. 20 CFM / 0.6 m³/min

Plastic Impeller / Plastic Frame.

Model No.	Rated Voltage	Voltage Range	Input Power	Rated Current	Ref Speed	Max. Airflow		Max. Static Pressure		Noise Level	PQ Curves
	VDC	VDC	Watt	Amp	RPM	CFM	m ³ /min	Inch/H ₂ O	mm/H ₂ O	dB (A)	
ED6010-05H**	5	4~6	1.3	0.25	5000	20	0.6	0.16	4.06	37	H
ED6010-05M**	5	4~6	1	0.19	4300	18	0.5	0.12	3.05	33	M
ED6010-05L**	5	4~6	0.8	0.15	3600	15	0.4	0.08	2.03	28	L
ED6010-12H**	12	7~13.2	2.2	0.18	5000	20	0.6	0.16	4.06	37	H
ED6010-12M**	12	7~13.2	1.8	0.15	4300	18	0.5	0.12	3.05	33	M
ED6010-12L**	12	7~13.2	1.2	0.10	3600	15	0.4	0.08	2.03	28	L
ED6010-24H**	24	14~26.4	2.2	0.15	5000	20	0.6	0.16	4.06	37	H
ED6010-24M**	24	14~26.4	1.8	0.13	4300	18	0.5	0.12	3.05	33	M
ED6010-24L**	24	14~26.4	1.2	0.07	3600	15	0.4	0.08	2.03	28	L
ED6010-48H**	48	24~53	3.4	0.07	5000	20	0.6	0.16	4.06	37	H
ED6010-48M**	48	24~53	2.9	0.06	4300	18	0.5	0.12	3.05	33	M
ED6010-48L**	48	24~53	2.4	0.05	3600	15	0.4	0.08	2.03	28	L

** = "BL" for wire lead type Ball bearing Type.

*We reserve the right to change data and improve electrical & mechanical design without notice. data tolerance +10%

Motor

Motor Type: Brushless DC Motor, auto cutoff, auto restart optional only
 Burnout Protection: Electronically protected, polarity protected
 IP Protection: Ratings on request

Mechanical

Frame: Glass fiber reinforced thermoplastic, rated UL94V-0
 Impeller: 11 blades, glass fiber reinforced plastic, rated UL94V-0
 Bearing: Two ball bearings
 Rotation: CCW seen on rotor
 Connection: Wire lead
 Weight: 20 g (0.04 Lbs)

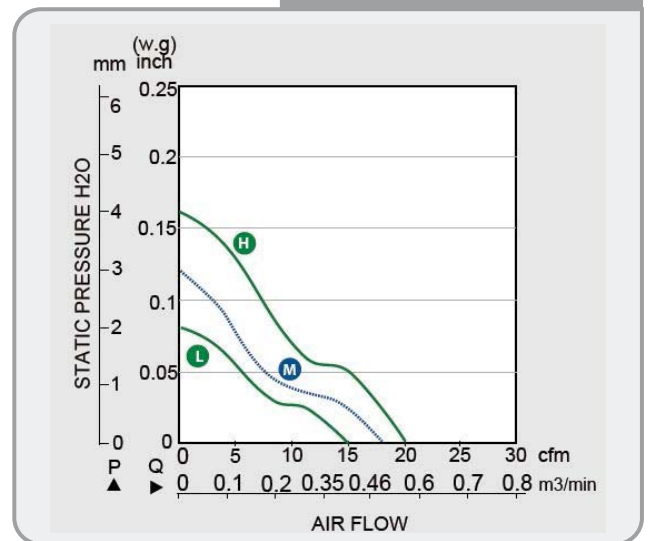
Electrical

Dielectric Strength: 500 VAC/min. Max leakage 500mA
 Speed Control: Optional: PWM, S/C NTC thermister on request
 Signal Output: Optional: R/D alarm output, tachometer output F/G

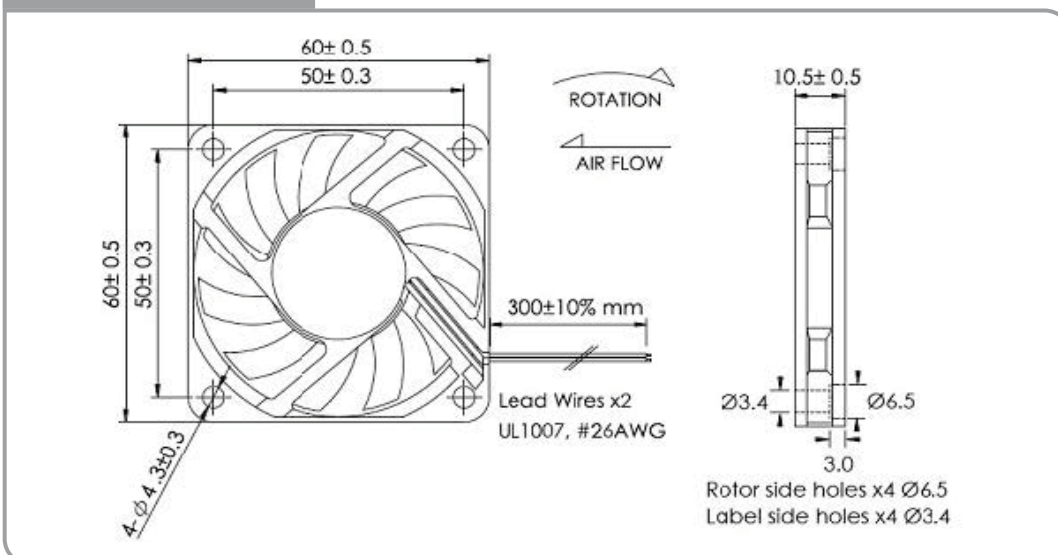
Environment

Operating Temp: Ambient non-condensing -15°C~+65°C
 Storage Temp: -25°C~+80°C (at 65%RH)
 Life Expectancy: L10 55K hours at 45°C, 40K hours at 60°C

► Performance P-Q Curves.



► Outline Dimensions.



Fan Accessories

- Metal Fan Guards
- Plastic Fan Guards
- Plastic Fan Filter
- Metal Fan Screens